

Analysis on the Performance of a Second-order and a Third-order RLC Circuit of PRBS Generator

Na Zhang¹ and Ahmad 'Athif Mohd Faudzi^{1,2*}

¹School of Electrical Engineering, Faculty of Engineering, Universiti Teknologi Malaysia, Malaysia

²Centre for Artificial Intelligence and Robotics (CAIRO), Universiti Teknologi Malaysia, Malaysia.

Abstract

A pseudo-binary random signal (PRBS) has been widely utilized for system identification in complex signals to develop an experimental approach. PRBS generator is a circuit that generates pseudo-random numbers. This work aims to analyze the best fit value of the PRBS generator with second-order and third-order under-damped black-box RLC circuit of the estimated model. The procedures conducting here can be divided into three parts. First, to design two black boxes using the RLC circuit representing a critically under-damped second-order and third-order system. PRBS generated with maximum-length sequence (MLS) equals 127 bits by using seven shift registers. Second, simulate the PRBS generator using MATLAB software and validate the estimated model from the simulation using the System Identification Tool in MATLAB. Next, connecting hardware RLC circuit and reading input and output signals using an oscilloscope. Finally, 2500 samples of captured data were used for estimation. Then, analyze and compare the best fit of the simulation and experiment with second-order and third-order under-damped black-box RLC circuit. Furthermore, analyze and compare best fit using different sample time. The results showed that the best fit of the second-order model with under-damped black-box RLC circuit was autoregressive with the exogenous term (ARX) 211, where the best fit of the simulation was 99.88%, and the best fit of the experiment was 96.04%. And the results showed that the best fit of the third-order model with an under-damped black-box RLC circuit was ARX 331, where the best fit of the simulation was 99%, and the best fit of the experiment was 94.28%. It was concluded that the best fit value of the second-order was better than the third order. What's more, the results showed that when the select range is the same, the bigger the sample time, the better the best fit.

Keywords:

ARX;
Black-box;
PRBS;
Under-damped;

Article History:

Received: February 1, 2021
Revised: April 16, 2021
Accepted: April 21, 2020
Published: April 30, 2021

Corresponding Author:

Ahmad 'Athif Mohd Faudzi
School of Electrical Engineering,
Faculty of Engineering and Centre
for Artificial Intelligence and
Robotics (CAIRO), Universiti
Teknologi Malaysia, Malaysia.
Email: athif@utm.my

This is an open-access article under the [CC BY-SA](https://creativecommons.org/licenses/by-sa/4.0/) license



INTRODUCTION

Random white noise is the term given to completely random unpredictable noise. It has the property of having components at every frequency [1]. PRBS can also have this property [2]. It allows producing high-quality random sequences at low costs making it very useful in cryptography [3]. It is rather like a long recurring decimal number, but it repeats itself every desired bit [4]. PRBS is not a truly random sequence but with long sequence lengths and the most important point is its generation is rather simple [5]. Besides, it uses very little randomness to produce very long random sequences. PRBS can be generated with shift registers and an exclusive-OR(XOR) gate. XOR gate is a digital logic gate that gives a true output when the number of true inputs is odd. XOR gate connecting the outputs of two stages of the shift register and then feeding the result back into the input of the shift register [6]. Some combinations of outputs produce longer PRBSs than others-the longest one called MLS. MLS contains all possible combinations of a binary sequence [7]. The relationship between the number of generated PRBS signals and the number of shift-register stages shown in (1).

$$m = 2^n - 1 \tag{1}$$

where m is the length of the MLS and n is the number of shift-register stages.

MLS-based PRBS can be easily generated using a simple shift register circuit with proper feedback. This allows it to be incorporated into multiple signal generators as a normal function and is widely used in the dynamic testing of systems. Additionally, PRBS is the forcing functions most widely used in statistical system testing [8]. In this paper, theories about PRBS, system identification, ARX model will be discussed.

System identification is gaining more attention due to the widespread use of sophisticated, efficient algorithms and advances in digital processing. It has been an active area of research due to its numerous applications in various domains like signal processing, control, and fault detection tasks [9, 10, 11, 12, 13, 14, 15]. It uses statistical methods to build a dynamical system's mathematical models from measured input and output data [16]. The simplest way to get started on a parametric estimation routine is to build a state-space model where the model-order is automatically determined [17].

Procedures for system identification can be divided into four parts, namely detection, characterization, and parameter estimation [18]. First, to select the choice of the model set, there are three types of models used in system identification, including the white box requiring physical law modeling, the black box, which does not require prior knowledge. And the gray box has characteristics of both white box and black box [19]. In this research, parametric and linear black boxes were chosen as the model set. Parametric means using a limited number of model features to describe the system [20]. Second, we choose the second-order and third-order RLC circuit in this research to choose the structure and order estimation. The third part is parameter estimation, and the final part is the performance analysis of the estimation model.

METHOD

Instruments for hardware and software and methods to explore the simulation and experiment have been shown in this chapter.

Material

In this research, both simulation and hardware experiments have been investigated. In the simulation part, System Identification Toolbox was used in MATLAB, results for best fit, zeros, and poles, noise spectrum transient and frequency responses can be deduced from this toolbox. In the experiment part, besides the connection with the RLC circuit and Arduino Uno, an oscilloscope was utilized to capture the input and output signal of the RLC circuit.

Methods

Firstly, a straightforward 7-bit PRBS generator was designed to generate a 127-bit MLS. PRBS signal generated by using the MATLAB SIMULINK. In this SIMULINK, Auto Correlator, Power Spectral Density, Scope, Clock Pulse, D Flip-Flop, and XOR blocks are being used. The design of the PRBS generator with a black box shown in Figure 1. The input signal was a clock pulse, then the clock signal fed into seven stages of D-flip fops and output signals of PRBS generator from fourth and seventh D-flip fops' feedback to the first D flip flop by the two-input XOR gate.

Second, designing RLC circuit black boxes for second-order and third order. The design of RLC circuit black boxes for second-order shown in Figure 2 (a) and for third-order shown as Figure 2 (b).

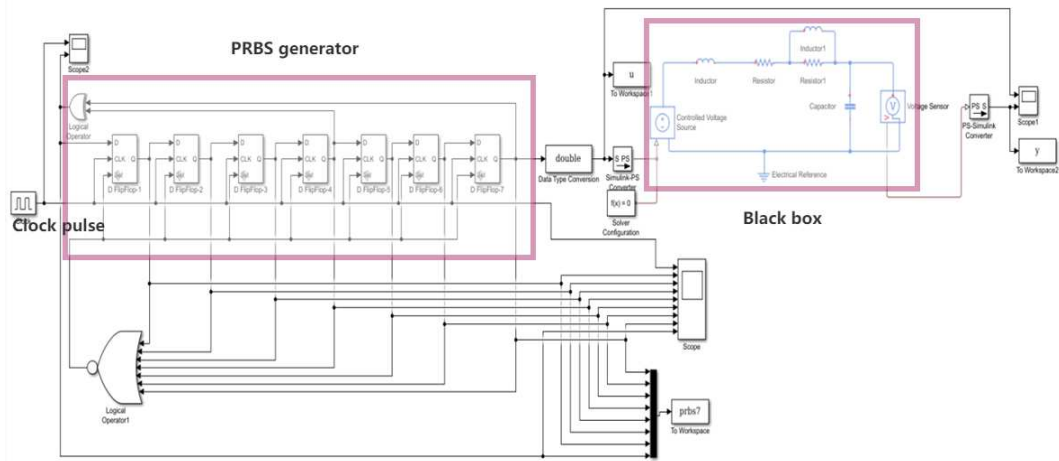
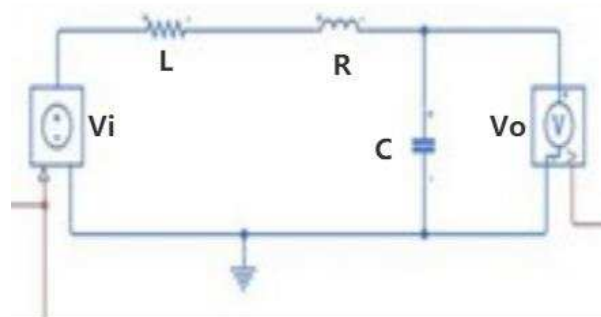
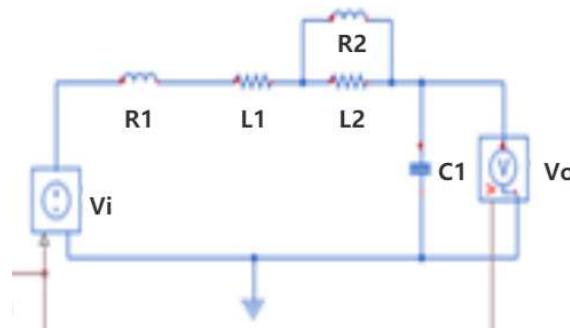


Figure 1. Block Diagram of PRBS Generator with Black Box



(a)



(b)

Figure 2. Second-order and Third-order RLC Circuit Black Box Design

(a) Second-order RLC Circuit Black Box Design (b) Third-order RLC Circuit Black Box Design

Parameters of the RLC circuit, such as inductance, resistance, and capacitance, should be checked to stabilise it. From the design of the RLC circuit, the output of the second-order RLC circuit was the voltage of C, and the output of the third-order RLC circuit was the voltage of C_1 .

The relationship between an input voltage and output voltage for the second-order written in transfer function was as in (2).

$$H(s) = \frac{1/RC}{s^2 + R/Ls + 1/LC} \quad (2)$$

However, when relating to the third-order RLC circuit black box shown in Figure 2 (b), it is not easy to write into the transfer function format. Assuming that the input voltage v_i is 2 volts step input when time is smaller than 0, the input voltage is 0 while time more than 0, the input voltage is 2 volts. The relationship between output and input voltage can be written in a matrix format (3). The Eigenvalues of the matrix of the RLC circuit calculated by MATLAB code.

$$\begin{bmatrix} \frac{1}{L_1} + \frac{s}{R_1} & -\frac{s}{R_1} & 0 \\ -\frac{s}{R_1} & \frac{s}{R_1} + \frac{s}{R_2} + \frac{1}{L_2} & -\frac{s}{R_2} - \frac{1}{L_2} \\ 0 & -\frac{s}{R_2} - \frac{1}{L_2} & \frac{s}{R_2} + \frac{1}{L_2} + C_1s^2 \end{bmatrix} \begin{bmatrix} v_1 \\ v_2 \\ v_3 \end{bmatrix} = \begin{bmatrix} v_i \\ 0 \\ 0 \end{bmatrix} \quad (3)$$

where R_1 and R_2 were resistance, L_1 and L_2 were inductance, C_1 was capacitance used in Figure 2 (b).

Eigenvalues of the transfer function of the black box should be negative to make sure the designs of the black box were stable [21]. Additionally, the best fit of the PRBS generator with the black box must higher than 99%, which checked by the system identification toolbox. However, once models have been identified, the estimated model and the actual output data from the experiment need to be validated. The data format for signals chosen time-domain signal and adjusted sample time. Then, removed the means of input and output signals and selected the range of samples to divide the samples into two parts, one for estimating the model, the other for validating the model which System Identification Toolbox deduced.

Polynomial models were chosen. In the system identification toolbox, the selection of structure of ARX type polynomial model can be estimated using the estimate button. The recommended ARX model structure can be applied to get the best fit number of the ARX model. In another way, the quick start button also can be chosen to check the maximum best fit model. Finally, selected the select range option from the preprocess popup menu in the ident figure. The data length is 2500 samples. The first 1250 for estimation and the remaining 1250 for validation.

ARX model

The ARX model was chosen as it was the simplest model incorporating the stimulus signal [22]. The general linear polynomial can be described using the following equation, as in (4)

$$y(k) = z^{-n}G(z^{-1})u(k) + H(z^{-1})e(k) \quad (4)$$

where $u(k)$ and $y(k)$ are the input and output of the system, $e(k)$ is the error of the system. $G(z^{-1})$ is the transfer function of the deterministic part of the system, $H(z^{-1})$ is the transfer function of the stochastic part of the system. The term z^{-1} is the backward shift operator, the algorithm shown as in (5)

$$z^{-n}x(k) = x(k - n) \quad (5)$$

$G(z^{-1})$ and $H(z^{-1})$ are rational polynomials defined as in (6) and (7) [23].

$$G(z^{-1}) = \frac{B(z)}{A(z)F(z)} \quad (6)$$

$$H(z^{-1}) = \frac{C(z)}{A(z)B(z)} \quad (7)$$

The general linear polynomial model described in (8) and (9).

$$A(z)y(k) = \frac{B(z)}{F(z)}u(k-n) + \frac{C(z)}{D(z)}e(k) \quad (8)$$

$$A(z)y(k) = \frac{B(z)}{F(z)}u(k-n) + \frac{C(z)}{D(z)}e(k) \quad (9)$$

when $C(z)$, $D(z)$, and $F(z)$ equal 1, the general linear polynomial model is reduced to an ARX model. The ARX model described as in (10) and (11)

$$A(z)y(k) = z^{-n}B(z)u(k) + e(k) \quad (10)$$

$$A(z)y(k) = B(z)u(k-n) + e(k) \quad (11)$$

The signal flow graph of an ARX model shown in [Figure 3](#).

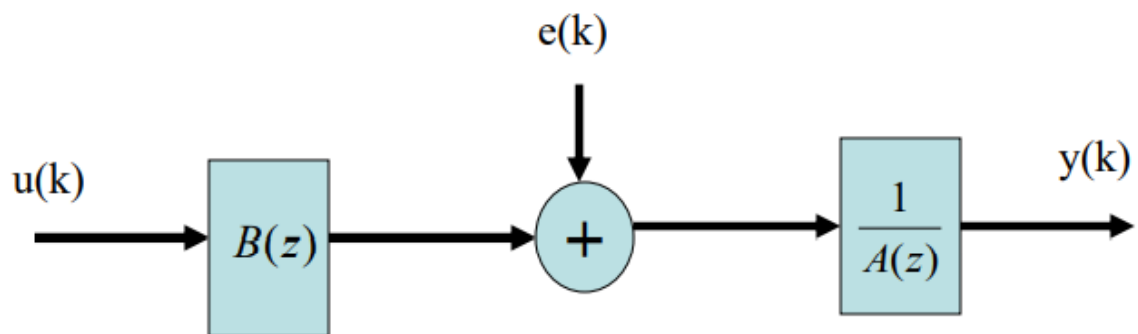


Figure 3. Signal Flow Graph of an ARX Model

The identification method for the ARX model is the least-squares method [24][25]. To study the characteristics of the ARX model. The response curves, correlation function (ACF and CCF), and power spectral density for systems forced by PRBS generator were observed [26]. ACF of the input signal and CCF between input and output signal was used to estimate the transfer function model of the system [27]. In 2015, Ismail, *et al.* compared ARX and ARMAX model performance using data from SDEOE, found that model fit for ARXs was between 95.77% and 95.06%, and the model fit for ARMAXs was between 95.68% and 95.05% [28].

RESULTS AND DISCUSSION

ACF of the input signal and CCF between input and output signal was performed using Dynamic Signal Analyzer. The correlograms of these two functions were used to determine the transfer function model of the second-order and third-order RLC circuit black boxes. Parameters were chosen for the second-order and third-order RLC circuits shown in [Table 1](#).

Table 1. Parameters were chosen for the second-order and third-order RLC circuits

Second Order			Third Order		
Symbol	Quantity	Parameters	Symbol	Quantity	Parameters
R	resistance	30 ohms	R_1	resistance	100 ohms
L	inductance	10 mH	R_2	resistance	10 ohms
C	capacitance	1 μ F	L_1	inductance	10 mH
			L_2	inductance	10 mH
			C_1	capacitance	47 μ F

The transfer function model equation shows the locations of the zeroes and poles of the dynamic system. The transfer function of the second-order RLC circuit, as in (12).

$$H(s) = \frac{1e8}{s^2 + 3000s + 1e8} \tag{12}$$

The number of eigenvalues depends on the order of the transfer function. For example, there are two eigenvalues from the equation. The first is -3000, second is 0.

The transfer function of the third-order RLC circuit, as in (13).

$$H(s) = \frac{0.001s + 100}{4.7e^{-12}s^3 + 9.87e^{-7}s^2 + 0.0057s + 100} \tag{13}$$

There are three eigenvalues from (10), first is $1.0e+05 * -2.0458 + 0.0000i$, second is $1.0e+05 * -0.0271 + 0.0983i$, third is $1.0e+05 * -0.0271 - 0.0983i$. The real part of eigenvalues is negative, so the two desired black boxes are stable. Besides, a System Identification Toolbox was utilized to check the best fit of the ARX models. The maximum best fit number of ARX model for second order was 99.88%, deduced from ARX211 model and for third-order was 99.74% which deduced from ARX331 model. Both best-fit numbers for more than 99%.

Analysis by system identification toolbox, the maximum best fit number was deduced by comparing different ARX models. Finally, the maximum best fit number for the second-order ARX model was ARX211 and for the third-order was ARX331. Validation results of the desired black box for hardware experiments shown in [Figure 4](#).

The maximum best fit number of the ARX model for the second-order was 96.09 %, and the third-order was 94.28%. It is found that the maximum best fit number for both MATLAB simulation and hardware experiments is higher than 90%. Besides, in the same order, the maximum best fit of simulation is higher than the maximum best fit of the experiment. Additionally, with the order of the black box increase, the maximum best fit number decrease.

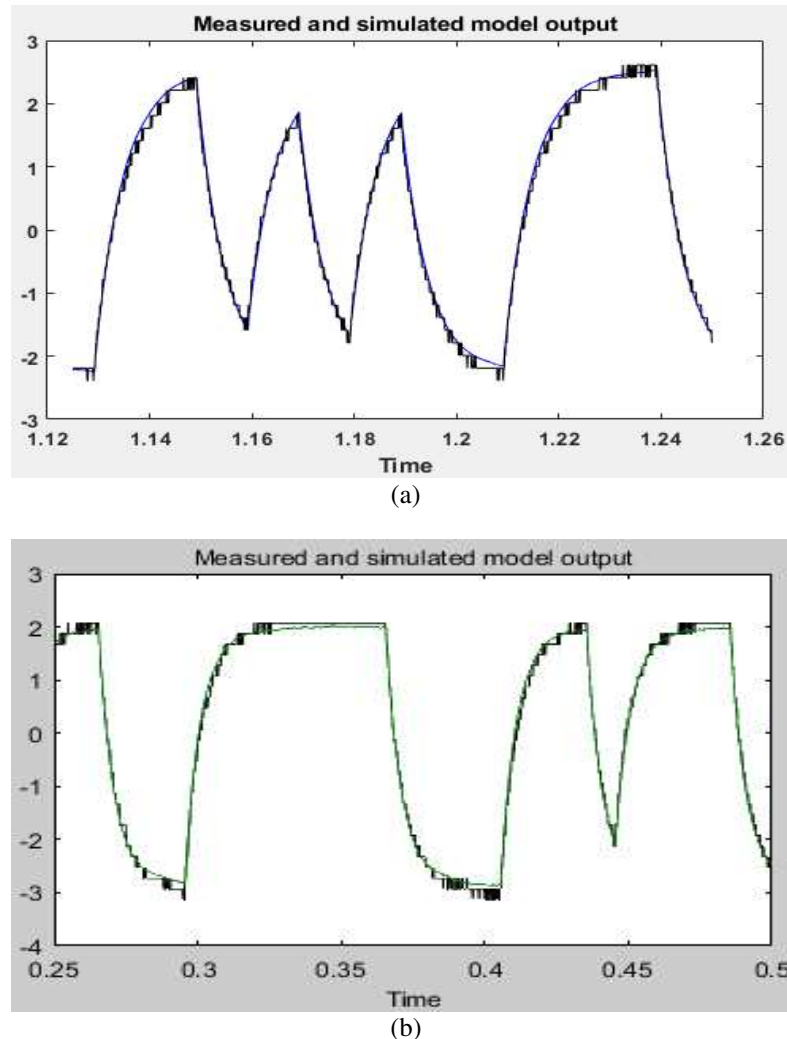
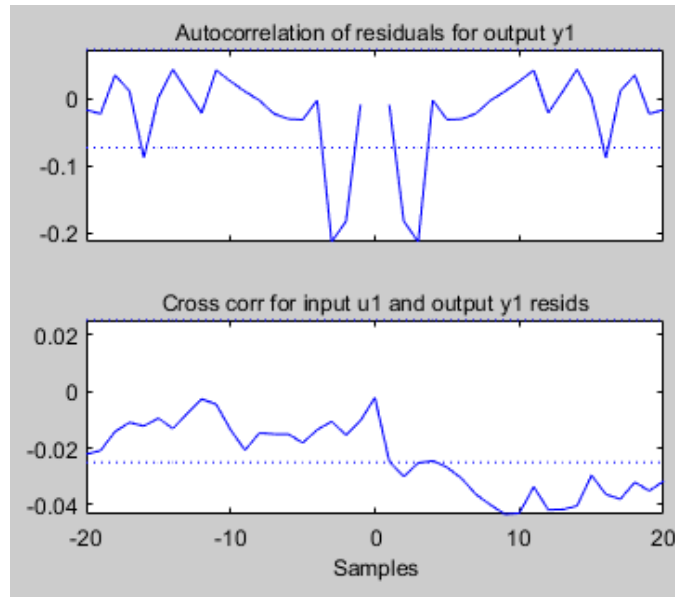


Figure 4. Validation Results of the Desired Black Box for Simulation and Hardware Experiment
 (a) Hardware experiment ARX211 (b) Hardware experiment ARX331

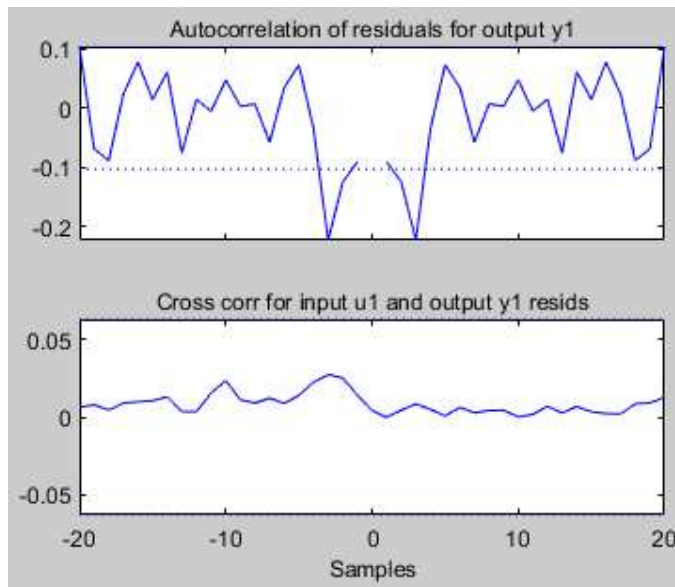
To study more on the performance of the PRBS generator with the black box, the third-order black box was chosen to compare the best fit, FPE, and MSE with different sample times 25 ms and 50 ms when using an oscilloscope. The results of the Auto-correlation of residuals and Cross-correlation are shown in [Figure 5](#).

It is found that analysis of residuals was performed on each identification sets to investigate the confidence limits (95%) of auto and cross-correlations. Auto-correlation performed on residuals should show a correlation only when residuals have no relative temporal delays. The ACF within the 95% confidence levels indicates that the residuals and model output were uncorrelated and lent validity to the model were shown in [Figure 5](#). CCF was performed between residuals and the normalized inputs. The CCF within the 95% confidence interval levels indicates that the residuals are uncorrelated to the input.

Besides, FPE and MSE result also deduced when sample time was 25 ms, FPE equal to 0.007338, MSE equal to 0.007233, and when sample time was 50 ms, FPE equal to 0.00657, MSE equal to 0.006476. Furthermore, the best fit of the system with different sample times, 10 ms, 25 ms, 50 ms, and 100 ms shown in [Table 2](#). The select range for the input for 10 ms, 25 ms, and 50 ms sample time was the same, which was 2500, while the select range for 100 ms was different.



(a)



(b)

Figure 5. Autocorrelation of residuals and Cross-correlation with sample time 25 ms and 50 ms
 (a) Correlation (ACF and CCF) of residuals with sample time 25 ms (b) Correlation (ACF and CCF) of residuals with sample time 50 ms

Table 2. Best Fit Virus Sample time

Sample time (ms)	Select Range	Best Fit (%)
10	1-2500	80
25	1-2500	92.46
50	1-2500	94.28
100	251-2250	93.2

It was found that with the increment of the sample time, the best fit number also increased. However, when sample time equals 100 ms, some sample data cannot be used. Therefore, the select range changed from 2500 to 2000. Except for the best fit number of 100 ms sample time, the best fit number increase with the increase of the sample time.

CONCLUSION

The comparison between second-order and third-order RLC circuit black box using the data from the PRBS generator has been presented in this study. The result showed that both second-order and third-order RLC circuit black box can be implemented for PRBS since it passes all the validation criteria in this study. The best fit of the second-order RLC Circuit of PRBS Generator was more accurate than the third order. What's more, the comparison between different sample times also has been presented in this study. The result showed that the bigger the sample time, the bigger the best fit when the select range is the same. The finding in this study is significant as it will benefit future work in cryptography. However, increasing the model order can change some dynamic characteristics of the model, such as the stability of the model.

ACKNOWLEDGMENT

The authors would like to acknowledge the support provided by the Ministry of Higher Education (MOHE) and Universiti Teknologi Malaysia (UTM) Collaborative Research Grant (CRG), Grant No. 08G30 and 08G31.

REFERENCES

- [1] P. Várlaki, L. Palkovics, and A. Rövid, "On modeling and identification of empirical partially intelligible white noise processes," *Asian Journal of Control*, 2020, doi: 10.1002/asjc.2470
- [2] L. G. de la Fraga, E. Torres-Pérez, E. Tlelo-Cuautle, and C. Mancillas-López, "Hardware implementation of pseudo-random number generators based on chaotic maps," *Nonlinear Dynamics*, vol. 90, no. 3, pp. 1661-1670, 2017, doi: 10.1007/s11071-017-3755-z
- [3] S. Tapna and A. Karmakar, "Advanced Encryption Standard (AES) Using Pseudorandom Binary Sequence (PRBS) As a Key, Simulated in MATLAB," *International Journal of Computer Science (IJCS)*, vol. 8, no. 5, pp.185-192, 2019
- [4] R. Hegadi and A. P. Patil, "A Statistical Analysis on In-Built Pseudo Random Number Generators Using NIST Test Suite," *2020 5th International Conference on Computing, Communication and Security (ICCCS)*, Patna, India, 2020, pp. 1-6, doi: 10.1109/ICCCS49678.2020.9276849
- [5] F. M. Mwaniki, "Modelling and Performance Evaluation of a Pseudo-Random Impulse Sequence for in situ Parameter Estimation in Energy Applications," *Thesis*, Stellenbosch University, 2020
- [6] X. Liu and Y. Wang, "Optical encryptions and decryptions based on all-optical shift register," *2017 16th International Conference on Optical Communications and Networks (ICOON)*, Wuzhen, China, 2017, pp. 1-3, doi: 10.1109/ICOON.2017.8121239
- [7] K. N. Poudel and W. M. Robertson, "Maximum length sequence dielectric multilayer reflector," *OSA Continuum*, vol. 1, no. 2, pp. 358-372, 2018, doi: 10.1364/OSAC.1.000358
- [8] X. Huang, L. Liu, X. Li, M. Yu, and Z. Wu, "A new pseudorandom bit generator based on mixing three-dimensional Chen chaotic system with a chaotic tactics," *Complexity*, vol. 44, pp. 1-9, 2019, doi: 10.1155/2019/6567198
- [9] K. Soal, Y. Govers, J. Bienert, and A. Bekker, "System identification and tracking using a statistical model and a Kalman filter," *Mechanical Systems and Signal Processing*, vol. 133, p. 106127, 2019, doi: 10.1016/j.ymsp.2019.05.011
- [10] W. Turner, A. Staino, and B. Basu, "Residential HVAC fault detection using a system identification approach," *Energy and Buildings*, vol. 151, pp. 1-17, 2017, doi: 10.1016/j.enbuild.2017.06.008
- [11] J. Song, C. Cho, and Y. Won, "Analysis of operating system identification via fingerprinting and machine learning," *Computers & Electrical Engineering*, vol. 78, pp. 1-10, 2019, doi: 10.1016/j.compeleceng.2019.06.012

- [12] K. Osman, M. Faudzi, M. Rahmat, and K. Suzumori, "System identification and embedded controller design for pneumatic actuator with stiffness characteristic," *Mathematical Problems in Engineering*, vol. 2014, ID: 271741, 2014, doi: 10.1155/2014/271741
- [13] X. W. Liang and Z. H. Ismail, "System Identification and Model Predictive Control using CVXGEN for Electro-Hydraulic Actuator," *International Journal of Integrated Engineering*, vol. 11, no. 4, pp. 166-174, 2019, doi: 10.30880/ijie.11.04.018
- [14] K. Osman, A. ' . M. Faudzi, M. F. Rahmat, N. D. Mustafa, M. A. Azman and K. Suzumori, "System Identification model for an Intelligent Pneumatic Actuator (IPA) system," *2012 IEEE/RSJ International Conference on Intelligent Robots and Systems*, Portugal, 2012, pp. 628-633, doi: 10.1109/IROS.2012.6385751
- [15] A. A. M. Faudzi, I. M. Lazim, K. Suzumori, and M. A.-R. Mukri, "System Identification and PID-PSO Force Control of Thin Soft Actuator," in *The Abstracts of the international conference on advanced mechatronics: toward evolutionary fusion of IT and mechatronics (ICAM 2015)*, 2015, pp. 349-350, doi: 10.1299/jsmcam.2015.6.349
- [16] L. Ljung, "Perspectives on system identification," *Annual Reviews in Control*, vol. 34, no. 1, pp. 1-12, 2010, doi: 10.1016/j.arcontrol.2009.12.001
- [17] S. James and S. R. Anderson, " S. James and S. R. Anderson, "Linear System Identification of Longitudinal Vehicle Dynamics Versus Nonlinear Physical Modelling," *2018 UKACC 12th International Conference on Control (CONTROL)*, Sheffield, UK, 2018, pp. 146-151, doi: 10.1109/CONTROL.2018.8516756
- [18] A. K. Tangirala, *Principles of system identification: theory and practice*, CRC Press, 2018
- [19] O. Lo-Thong et al., "Identification of flux checkpoints in a metabolic pathway through white-box, grey-box and black-box modeling approaches," *Scientific reports*, vol. 10, no. 1, pp. 1-19, 2020, doi: 10.1038/s41598-020-70295-5
- [20] P. Benner, S. Gugercin, and K. Willcox, "A survey of projection-based model reduction methods for parametric dynamical systems," *Society for Industrial and Applied Mathematics (SIAM)*, vol. 57, no. 4, pp. 483-531, 2015, doi: 10.1137/130932715
- [21] Q. Liu and J. Lee, "Black-box importance sampling," *Artificial Intelligence and Statistics*, pp. 952-961, 2017
- [22] N. K. B. Mahyudin, Z. H. Zaini, K. Osman, and S. F. Sulaiman, "Tracking Performance of Pneumatic Position Using Generalized Minimum Variance Controller (GMVC)," *Journal of Engineering and Health Sciences*, vol. 2, no. 1, pp. 79-92, 2019
- [23] H. Wu, B. Li and M. Xin, "Construction of General Linear System and Associated Polynomial Bezout Matrix," *2020 IEEE International Conference on Power, Intelligent Computing and Systems (ICPICS)*, Shenyang, China, 2020, pp. 751-757, doi: 10.1109/ICPICS50287.2020.9202126
- [24] M. Salah-eddine, S. Sadki, and B. Bensassi, "Microcontroller Based Data Acquisition and System Identification of a DC Servo Motor Using ARX, ARMAX, OE, and BJ Models," *Advanced Science and Technology Engineering System (ASTES) Journal*, vol. 5, no. 6, pp. 507-513, 2020, doi: 10.25046/aj050660
- [25] J. Ding, Z. Cao, J. Chen, and G. Jiang, "Weighted parameter estimation for Hammerstein nonlinear ARX systems," *Circuits, Systems, and Signal Processing*, vol. 39, no. 4, pp. 2178-2192, 2020, doi: 10.1007/s00034-019-01261-4
- [26] A. Kar and P. Corcoran, "A Review and Analysis of Eye-Gaze Estimation Systems, Algorithms and Performance Evaluation Methods in Consumer Platforms," in *IEEE Access*, vol. 5, pp. 16495-16519, 2017, doi: 10.1109/ACCESS.2017.2735633
- [27] G. Tinungki, "The analysis of partial autocorrelation function in predicting maximum wind speed," *IOP Conference Series: Earth and Environmental Science*, vol. 235, no. 1, p. 012097, 2019
- [28] N. Ismail, M. T. M. Rani, M. H. F. Rahiman and N. M. Tahir, "Performance evaluation of ARX and ARMAX model based on PRBS and PRS perturbation," *2015 IEEE Conference on Systems, Process and Control (ICSPC)*, Bandar Sunway, Malaysia, 2015, pp. 49-54, doi: 10.1109/SPC.2015.7473558