



Open  
Access

## Simulation of EMP Generator using MATLAB

Betantya Nugroho<sup>1,\*</sup>, Azli Yahya<sup>1</sup>, Abd. Rahim<sup>3</sup>, Nor Hisham<sup>1</sup>, Kamal Khalil<sup>1</sup>, Mohd Najeb Jamaluddin<sup>2</sup>

<sup>1</sup> Faculty of Electrical Engineering, Universiti Teknologi Malaysia Skudai Johor 81310, Malaysia

<sup>2</sup> Faculty of Biosciences and Medical Engineering, Universiti Teknologi Malaysia Skudai Johor 81310, Malaysia

<sup>3</sup> Mindmatics Sdn Bhd, Kajang Selangor 43000, Malaysia

### ARTICLE INFO

#### Article history:

Received 18 January 2018

Received in revised form 6 February 2018

Accepted 8 February 2018

Available online 7 May 2018

### ABSTRACT

Electromagnetic pulse (EMP) is a sudden burst of wide-band, high-intensity electromagnetic radiation. EMP also called as a transient electromagnetic disturbance, a short burst of electromagnetic energy. Effect of EMP to automobile is classify as medium threats to vehicle attacks where EMP aims at damaging electronic devices such as on board sensors and processors, CPU which found in almost all models from 1990's and forward. This paper presents a MATLAB simulation of EMP generator by means of Switch Mode Power Supply, thus the electrical shielding can be studied further. Theoretically, EMP generator is developed by implementing energy storage circuit and discharge control circuit. Sending a rapidly changing electrical current through a loop will create an electromagnetic field in the form of a pulse. The results show an increase in pulse voltage from 12 VDC to 758 VDC with a current of 1500 A. A MATLAB model on the coverage area affected by EMP pulse will be developed in the next phase of the research.

#### Keywords:

EMP simulation, MATLAB

Copyright © 2018 PENERBIT AKADEMIA BARU - All rights reserved

## 1. Introduction

Electromagnetic pulse (EMP) is a sudden burst of wide-band, high-intensity electromagnetic radiation. EMP also called as a transient electromagnetic disturbance, a short burst of electromagnetic energy. EMP can cause large voltage and current transients that result in anomalous response in electronic system. These response are broadly divided into two mode of EMP damage; physical damage and upset [1-3, 7].

Effect of EMP to automobile is classify as medium threats to vehicle attacks where EMP aims at damaging electronic devices such as on board sensors and processors, CPU which found in almost all models from 1990's and forward [4]. The rest of the part may very well unaffected, however computer ignition chips and microcircuits that control many engine functions may be rendered inoperable by the pulse. The response of the vehicles towards EMP threats will depend on the

\* Corresponding author.

E-mail address: [Betantya.Nugroho@gmail.com](mailto:Betantya.Nugroho@gmail.com)

composition and configuration of the electronic system as well as the type and level of the electrical shielding [5-8].

Most of EMP research focused on the electromagnetic radiation pulse source, cone angle and transition section and the physical parameter of the design, and some results [9-14]. This paper presents a MATLAB simulation of EMP generator by means of Switch Mode Power Supply, thus the electrical shielding can be studied further. A MATLAB model on the coverage area affected by EMP pulse will be developed in the next phase of the research.

## 2. Simulation of EMP Generator

EMP generator is developed by implementing energy storage circuit and discharge control circuit. Sending a rapidly changing electrical current through a loop will create an electromagnetic field in the form of a pulse. EMP generator schematic is shown in Figure 1.

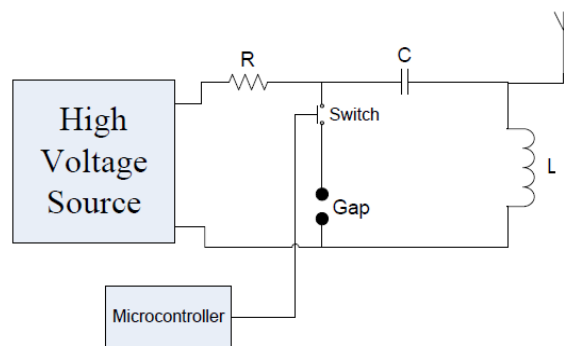


Fig. 1. Schematic of EMP

Multilevel boost converter is used to produce a high voltage source from a 12 Vdc battery source to 758 Vdc as shown in Figure 2 and the converter is also used to supply energy to the capacitive network by varying the duty cycle. The output voltage of the Multilevel Boost Converter can be derived by equation 1 [15-17], assuming in an ideal state.  $D$  is the duty cycle in MOSFET and  $N$  is a number of levels Multilevel Boost Converter.

$$V_{out} = N \times \frac{1}{1-D} V_{IN} \quad (1)$$

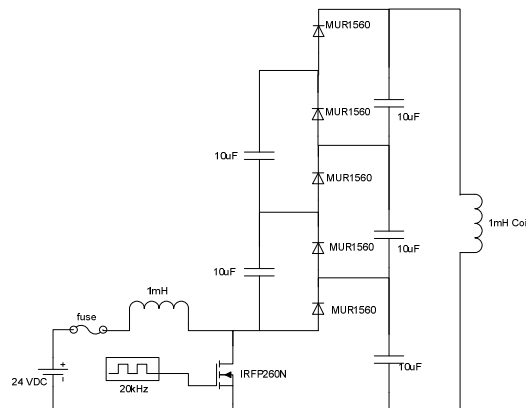
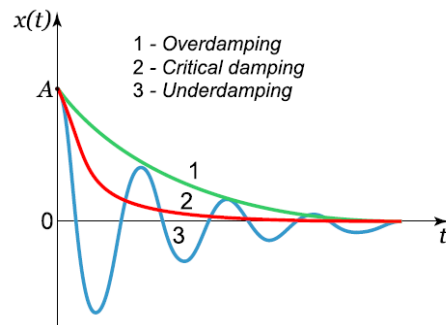


Fig. 2. Multilevel Boost Converter

Circuit RLC is used to create the electromagnetic field. The pulse of EMP must have fast rise time and burst duration to maximize the effect. EMP needs a capacitor with low inductance and low ESR (Equivalent Series Resistance) to make fast rise time current impulse[18][19]. Electromagnetic field waves produced is in a form of a sine wave with a damping factor depending on the RLC circuit which are overdamping, critical damping and underdamping [20] as shown in Figure 3.



**Fig. 3.** Sine wave with damping factor

Damped oscillations can be written as:

$$\frac{d^2I}{dt^2} + \frac{R}{L} \frac{dI}{dt} + \frac{I}{LC} = 0 \quad (2)$$

$$\lambda^2 + \frac{R}{L} \lambda + \frac{I}{LC} = 0 \quad (3)$$

Equation 3 is calculated according to the following:

$$\lambda_{1,2} = \frac{-R \pm \sqrt{R^2 - \frac{4L}{C}}}{2L} \quad (4)$$

Where the value damping coefficient resonant frequency is in equation 5.

$$R^2 = \frac{4L}{C} \quad (5)$$

In the case, damping factor has 3 options:

1. Overdamping  
 If  $R^2 > \frac{4L}{C}$ , so the waves do not show oscillation.
2. Critical Damping  
 If  $R^2 = \frac{4L}{C}$ , so the waves response shows a narrow peak, but then it quickly decreases exponentially.
3. Underdamping  
 If  $R^2 < \frac{4L}{C}$ , so the waves show oscillation.

The circuit uses critical damping from equation 5 to determine value of R, L and C. The internal resistance of the circuits is  $0.3 \Omega$ , the capacitance  $1 \mu\text{F}$ , and inductor of  $22.5 \text{ nH}$ . The switch uses an IGBT with high voltage, high current and low internal resistance.

#### 4. Result and Discussion

The simulation of EMP was performed in MATLAB. The charging voltage of the capacitor is  $758 \text{ Vdc}$  supplied by the multilevel boost converter. When switching off, the capacitor stores energy according to  $Q_{max}$  (see equation 6) for 0.2 seconds. When switch on, the capacitor discharges high current to RLC circuit and spark gap. The pulse wave from circuit RLC will produce the electromagnetic field.

$$Q_{max} = [1 - e^{-t/RC}] \tag{6}$$

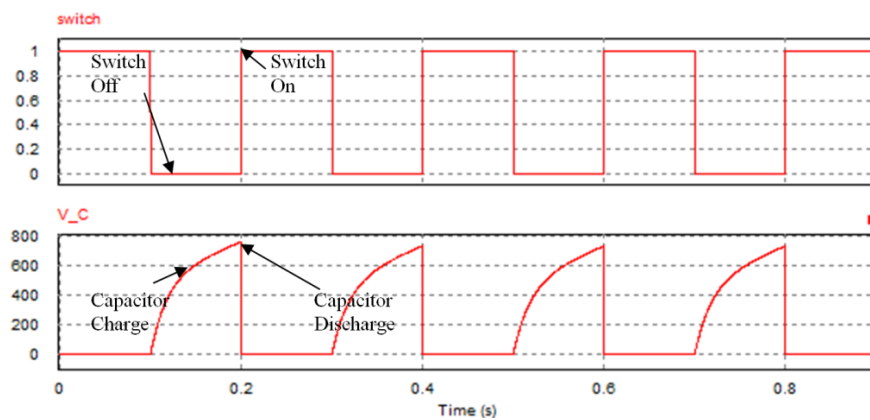


Fig. 4. The voltage waveform

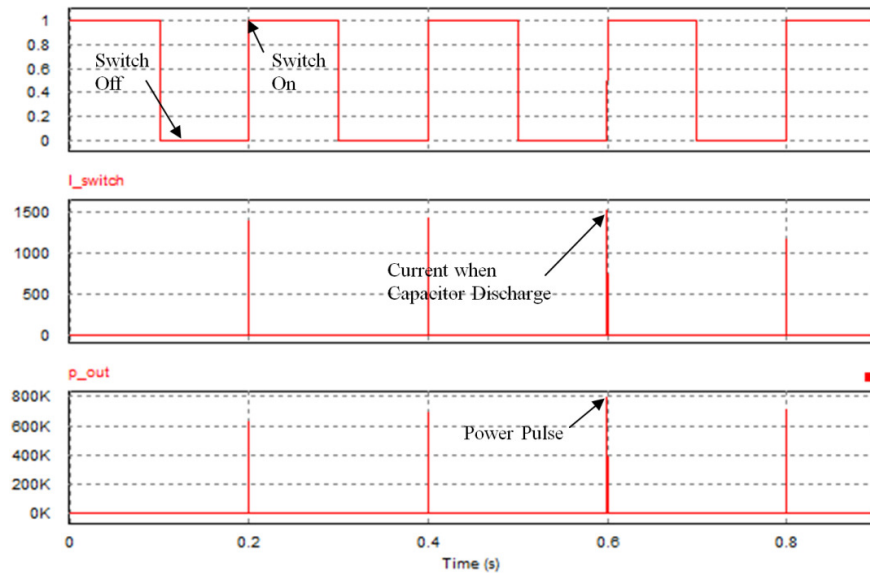


Fig. 5. The current and power pulse waveform when capacitor discharge

The current when the capacitor discharge is 1.5 kA and the maximum pulse power when capacitor discharge is 800 kW. The pulse period is around 1  $\mu$ s and the energy stored in the capacitor is about 0.287 Joule at voltage 758 Vdc according to equation 7.

$$E = \frac{1}{2} CV^2 \quad (7)$$

Energy in the inductor when the capacitor discharge during 0.2 seconds is about 0.133 Joule, as listed in equation 8 and 9.

$$E = \int P \cdot dt \quad (8)$$

$$E = \int_0^{Q_{max}} P_{max} e^{-\frac{R}{2L}t} \quad (9)$$

## 5. Conclusion

The simulation results of EMP generator show an increase in pulse voltage from 12 VDC to 758 VDC with a current of 1500 A. The energy when capacitor discharge is 0.133 Joule with the energy storage in capacitor is 0.287 Joule. A MATLAB model on the coverage area affected by EMP pulse will be developed in the next phase of the research.

## Acknowledgment

Authors would like to thank Universiti Teknologi Malaysia (UTM) for financial support through GUP research grant Vote No: Q.J130000.2545.13H23.

## References

- [1] Podgorski, Andrew S. "Composite electromagnetic pulse threat." In *Electromagnetic Compatibility, 1990. Symposium Record., 1990 IEEE International Symposium on*, pp. 224-227. IEEE, 1990.
- [2] Xianguo, Xu, Zeng Chao, Zhou Kaiming, Huang Congshun, Yang Youli, and Tan Zhengchao. "Researches on the damage effects of electromagnetic pulse of different rising edges." In *Environmental Electromagnetics (CEEM), 2015 7th Asia-Pacific Conference on*, pp. 414-419. IEEE, 2015.
- [3] Shurenkov, Vladimir Vasilevich, and Vyacheslav Sergeevich Pershenkov. "Electromagnetic pulse effects and damage mechanism on the semiconductor electronics." *Facta Universitatis, Series: Electronics and Energetics* 29, no. 4 (2016): 621-629.
- [4] Petit, Jonathan, and Steven E. Shladover. "Potential cyberattacks on automated vehicles." *IEEE Transactions on Intelligent Transportation Systems* 16, no. 2 (2015): 546-556.
- [5] Hong, Kevin, and Sean Braidwood. "Stopping car engines using high power electromagnetic pulses." In *Electromagnetics in Advanced Applications (ICEAA), 2010 International Conference on*, pp. 378-381. IEEE, 2010.
- [6] Kotlar, Aurelian, and Paul Svasta. "Protection supply circuit design for power electronics in automotive." In *Electronics Technology (ISSE), 2017 40th International Spring Seminar on*, pp. 1-4. IEEE, 2017.
- [7] *Electromagnetic Pulse (EMP)*. 2003, Division of Environmental Health, Office of Radiation Protection.
- [8] Hendricks, M., *Protecting Land Mobile Vehicles from HEMP Threat Environment, in EMP Mitigation*, S. Power, Editor. 2013, Transtector.
- [9] S.Ahmed, D.Raju, S.Chaturvedi and R.Jha.Modal. *Analysis for a Banded-Wave EMP Simulator-Part C: Radiation Leakage and Mode Suppression*. IEEE Trans.on Electromagnetic Compatibility. 2005, 47(1): 183~192.
- [10] Pan, Xiao-Dong, and Guang-Hui Wei. "Transitional section cone angle design of EMP simulator." *Qiangguang Yu Lizhishu(High Power Laser and Particle Beams)* 18, no. 6 (2006): 977-980.
- [11] Li, Yun-Wei, Ze-Zhong Wang, and Feng Liu. "Influence of parameters of boundary electromagnetic pulse simulator on transmitting mode." *Gaodiana Jishu/High Voltage Engineering* 33, no. 5 (2007): 54-57.
- [12] Yu, ChengDa, Min Chen, ShanHong He, Ping Li, and Yongfeng Wang. "Analysis and design of the bounded wave transmission line electromagnetic pulse simulator." In *Microwave, Antenna, Propagation, and EMC Technologies for Wireless Communications (MAPE), 2011 IEEE 4th International Symposium on*, pp. 210-212. IEEE, 2011.

- [13] Jiang, Dan, Yun Su, Pengjun He, and Yajie Wang. "Simulation and experiment technology of EMP measurement." In *Radar (RADAR), 2016 CIE International Conference on*, pp. 1-3. IEEE, 2016.
- [14] Li, Yanhong, Guoqiang Liu, Shiqiang Li, and Hui Xia. "Study on electromagnetic detection transmitter system." In *Mechanic Automation and Control Engineering (MACE), 2011 Second International Conference on*, pp. 1664-1667. IEEE, 2011.
- [15] Mayo-Maldonado, J. C., R. Salas-Cabrera, J. C. Rosas-Caro, J. De Leon-Morales, and E. N. Salas-Cabrera. "Modelling and control of a DC-DC multilevel boost converter." *IET Power Electronics* 4, no. 6 (2011): 693-700.
- [16] Rezal, M., Dahaman Ishak, and M. Sabri. "High voltage magnetic pulse generation using capacitor discharge technique." *Alexandria Engineering Journal* 53, no. 4 (2014): 803-808.
- [17] Rosas-Caro, Julio C., Juan M. Ramirez, and Pedro Martín García-Vite. "Novel DC-DC multilevel boost converter." In *Power electronics specialists conference, 2008. PESC 2008. IEEE*, pp. 2146-2151. IEEE, 2008.
- [18] Stevenson, Robert A. "Low inductance four terminal capacitor lead frame." U.S. Patent 6,473,291, issued October 29, 2002.
- [19] Smith, Larry D., Raymond E. Anderson, Douglas W. Forehand, Thomas J. Pelc, and Tanmoy Roy. "Power distribution system design methodology and capacitor selection for modern CMOS technology." *IEEE Transactions on Advanced Packaging* 22, no. 3 (1999): 284-291.
- [20] Choi, Jeong-Ryeol. "Quantization of underdamped, critically damped, and overdamped electric circuits with a power source." *International Journal of Theoretical Physics* 41, no. 10 (2002): 1931-1939.