

REVIEW ON DECOMPOSED FUZZY PID STRUCTURE FOR POWER INVERTERS REGULATION

M. S. Arif, S. M. Ayob*, Z. Salam

Department of Electrical Power Engineering, Faculty of Electrical Engineering, Universiti Teknologi Malaysia, 81310 UTM Johor Bharu, Johor, Malaysia

Article history

Received

4 November 2015

Received in revised form

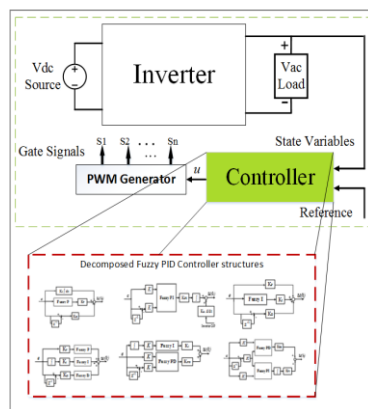
16 May 2016

Accepted

15 June 2016

*Corresponding author
e-shahrin@utm.my

Graphical abstract



Abstract

The aim of this paper is to critically review prominent decomposed Fuzzy PID control structures. Structural construction and output control laws of these controllers will be discussed. Their merits and drawbacks are highlighted. Based on the critical discussions, a new structure of Fuzzy PID controller is proposed. It is based on cascaded structure, which yields simpler design flow and parameters tuning. Other advantages of the proposed Fuzzy PID structure are the reduction of tuning parameters and rules of the Fuzzy controller. In addition, the proposed structure allows the usage of signed distance method. The application of the method reduces the computation burden significantly as the power inverter regulation needs very fast and precise computations.

Keywords: Fuzzy logic, Fuzzy PID, decomposed PID controller, decomposed fuzzy PID

Abstrak

Tujuan utama kertas kerja ini adalah untuk mengulas secara kritikal beberapa struktur terurai pengawal Kabur PID. Struktur binaan dan undang-undang keluaran kawalan untuk pengawal ini akan dibincangkan. Tumpuan perbincangan lebih terarah kepada mengenalpasti kelebihan dan kelemahan pengawal. Berdasarkan kepada perbincangan kritikal, struktur baharu pengawal Kabur PID terurai telah dicadangkan. Pengawal yang dicadangkan ini adalah berdasarkan kepada struktur berjujukan yang mana akan mempunyai aliran rekabentuk dan penalaan parameter yang lebih mudah. Kelebihan lain adalah pengurangan parameter talaan dan undang-undang pengawal kabur. Tambahan pula, struktur yang dicadangkan ini membenarkan penggunaan kaedah jarak bertanda. Aplikasi kaedah ini mengurangkan beban pengiraan dengan berkesan kerana pengaturan penyongsang kuasa ini memang memerlukan pengiraan yang pantas dan tepat.

Kata kunci: Logik kabur, pengawal PID kabur terurai; penyongsangkuasa

© 2016 Penerbit UTM Press. All rights reserved

1.0 INTRODUCTION

Inverter is the most crucial component for dc to ac power conversion systems such as the uninterruptable power supplies (UPS), photovoltaic (PV) power conditioner, adjustable speed drives, induction heater etc. The main feature of a well designed inverter is its ability to provide clean and stable ac output voltage regardless of type of loads connected to it [1].

However, with the proliferations of power electronics converters connected as loads, the inverter is forced to provide non-linear currents. These highly distorted currents cause deterioration in the quality of its output voltage. There are numerous reported cases in which the severity of the distortion results in system failure [2-4]. In addition, the high voltage and current switching of the inverter generates harmonics which can be harmful to sensitive equipments. It has been always a

challenge for an inverter designer to maintain high quality sinusoidal voltage output under any load conditions. The key is to employ an appropriate controller. Figure 1 shows block diagram of the general inverter system [5]. The main components of the system are inverter circuit topology, switching circuit and controller.

Presently, numerous inverter control techniques have been proposed to achieve fast transient response and to eliminate output voltage distortion under non-linear loads. These controllers are designed for the same objectives, but they differ markedly in terms of concept, complexities and with varying degree of performance. For instance, several controllers are good in providing fast transient response but highly sensitive to system's parameters changes and vice versa.

Among the prominent controllers used in regulating an inverter are PID [6-10], Sliding mode [11-13] Neural Network [14-17] and Fuzzy Logic [18-22]. Fuzzy logic is considered as non model based controller i.e. the design of its control parameters is independent from the mathematical model of the system. Its control design mimics the way of human thinking of solving problems. However, its linguistic based control lacks of design procedures. Hence optimal control performance is usually hard to achieve.

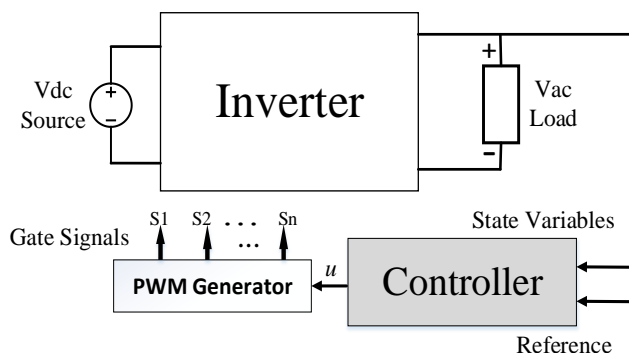


Figure 1 Block Diagram of the Inverter System

To overcome the lacking, Fuzzy logic is combined with other controllers i.e. PI, PD and PID. Fuzzy PI controllers are preferred more than fuzzy PD controllers as fuzzy PD controllers are not able to eliminate steady state errors [23]. However, the former exhibits poor performance during the transient phase for higher order processes. This is due to their internal integration operation. The applications of Fuzzy PI (FPIC) for power converters regulation can be found in [24-26]. Fuzzy PID controllers are much better in overall performance as compared to the previous Fuzzy PI and PD controllers [27,28]. A lot of research have been conducted on fuzzy logic control application and its use in power converter control is mainly for dc/dc converters [29-39]. Referring to literature, very few papers reporting on the usage of Fuzzy Logic for inverters control. Out of these only a few papers proposed Fuzzy PID controllers for inverter regulation, such as [37-39].

Fuzzy PID controllers, eliminates the error of both Fuzzy PI and Fuzzy PD controller [29], provide a promising option for industrial applications with many desirable features [40]. Problem with the conventional Fuzzy PID controller is that either they required tuning of the complex three-dimensional rule tables if there are three input variables to the controller or tuning of the large number of rules due to large number of membership functions [41]. Many strategies and designs have been reported in literature to simplifying the complexities of the Fuzzy PID controllers use for inverter regulation [37-42] but this review limits the scope to the ones related to Decomposed Fuzzy PID controller only.

In recent years, a lots of research is going on decomposed Fuzzy PID control structures [43-50]. Since the decomposed Fuzzy PID control structures are one of the simple solutions to address the complexities of the conventional Fuzzy PID controllers. These are the either the combination of fuzzy controller and conventional controller or the combination of two fuzzy controllers [44-47]. Due to the involvement of conventional converter overall performance of the later combination is better.

This paper presents a critical review on different decomposed Fuzzy PID Controller structures reported in the literature and also proposed a new simplified decomposed Fuzzy PID controller for power inverter regulation. Structure of the paper is as follows. Next section deals with the analysis of the different forms of decomposed Fuzzy PID structures presented in the literature along with their configurations and control law. Section 3 presents the proposed Fuzzy PID structure while section 4 consists of discussion and conclusion.

2.0 DECOMPOSED FUZZY PID CONTROLLER

Figure 2 and Figure 3 illustrate several forms of decomposed proportional-integral-derivative fuzzy logic controllers [44-48]. Referring to the structure, the controllers can be further distinguished as Fuzzy + Conventional controller and Fuzzy + Fuzzy controller types.

2.1 Fuzzy + Conventional Type Controller

It is a combination of fuzzy controller and conventional controller. One is the conventional controller (such as P, I, PI, PD) and the other part consisted of Fuzzy Logic controllers such as Fuzzy P, Fuzzy I and Fuzzy PI. To perform PID control action, both the parts are integrated into a single unit. For example, Fuzzy I + PD form, Fuzzy PI + D form and etc.

2.2 Fuzzy + Fuzzy Type Controller

In this type of controller, both parts of this decomposed controller constitute of Fuzzy Logic controllers i.e. it is a combination of two fuzzy controllers. Example of such type controllers are Fuzzy PI + Fuzzy D form, Fuzzy PD + Fuzzy I form, Fuzzy P + Fuzzy I + Fuzzy D form, and so no.

On the basis of the above mentioned categories various studies on the decomposed Fuzzy PID controller in literature will be examined and classified in the next section.

3.0 FUZZY + CONVENTIONAL TYPE DECOMPOSED FUZZY PID CONTROLLERS

3.1 Fuzzy P + ID

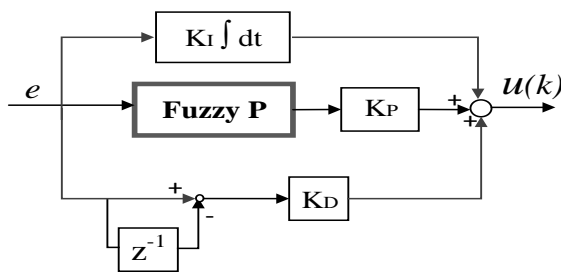
Li [50] proposed Fuzzy P + ID controller. Figure 2(a) shows the structure of a simple Fuzzy P + ID controller. Its control law consists of the Fuzzy P controller and conventional ID controller. The output expression of the controller is represented by equation (1). The most important part in the fuzzy P + ID controller is the fuzzy P part because it is responsible for improving overshoot and rise time. The conventional I part is responsible for reducing steady-state error, and the conventional D part is responsible for the stability of the system and for flatness of the response.

$$U(k) = U_{\text{Fuzzy P}}(k) + U_I(k) + U_D(k) \quad (1)$$

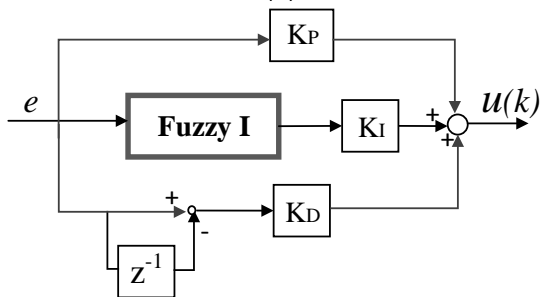
3.2 Fuzzy PI + D

The Fuzzy PI + D controller was proposed by Li and Gatland [51]. The control law consists of the Fuzzy PI and derivative control action of the process output and is given by equation (2). Figure 2(b) shows the structure of a Fuzzy PI + D control system. This structure has the benefit of implementing derivative control on the output, avoiding derivative kicks for step set point changes.

$$U(k) = U_{\text{Fuzzy PI}}(k) + U_D(k) \quad (2)$$



(a)



(c)

3.3 Fuzzy I + PD

In Fuzzy I + PD controller, Integral part of the controller is tuned by using Fuzzy Logic control and the proportional and derivative action is carried out using conventional method. The control law of the output can be expressed by equation (3). Figure 2(c) shows the structural construction of the Fuzzy I + PD controller.

$$U(k) = U_{\text{Fuzzy I}}(k) + U_P(k) + U_D(k) \quad (3)$$

3.4 Fuzzy PD + I

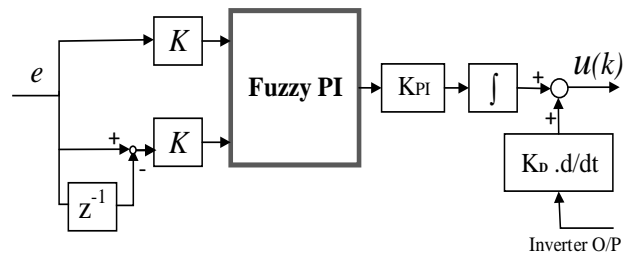
Fuzzy PD + I controller can be achieved by combining Fuzzy PD controller with conventional integral controller. In this controller error and change of error both are given as input to the Fuzzy PD controller where as the Integral controller takes error signal as its input. The rule base of the controller is a two Dimensional rule table. Structural construction of the controller is shown in Figure 2(d) and its control law is given by equation (4).

$$U(k) = U_{\text{Fuzzy PD}}(k) + U_I(k) \quad (4)$$

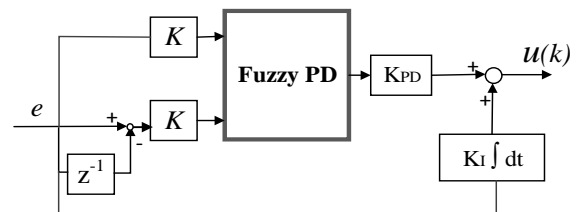
3.5 Fuzzy D + PI

Fuzzy PID controller can also be realized as a decomposed structure constitutes Fuzzy D and conventional PI controller. In this configuration, the conventional PI controller used can be form either by using two separate Proportional and Integral controllers or by combining Proportional and Integral controllers into a single unit to form PI controller. Control law for this controller is given by equation (5). Change of error is taken as the only input to the Fuzzy D controller therefore its rule base is a one dimensional rule table. The structural configuration of the Fuzzy D + PI controller is shown in Figure 2(e).

$$U(k) = U_{\text{Fuzzy D}}(k) + U_{PI}(k) \quad (5)$$



(b)



(d)

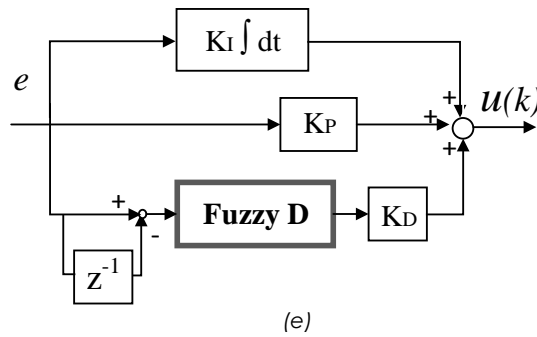


Figure2 Different structures of the decomposed Fuzzy + Conventional type PID controllers (a) Fuzzy ID form. (b) Fuzzy PI + D form. (c) Fuzzy I + PD form. (d) Fuzzy PD + I form. (e) Fuzzy D + PI form

4.0 FUZZY + FUZZY TYPE DECOMPOSED FUZZY PID CONTROLLERS

3.6 Fuzzy I + Fuzzy PD

Li and Ng [52] proposed the structure of the Fuzzy I+ Fuzzy PD controller. In this structure, the control law is obtained by the adding the output of Fuzzy PD control action and Fuzzy I control action together. The total output is expressed by equation (6). The structure of Fuzzy I + Fuzzy PD controller is shown in Figure 3(a). The characteristic of the Fuzzy I + Fuzzy PD is a combination of a two-dimensional rule base for the PD control and a one-dimensional rule base for the incremental integral control.

$$U(k) = U_{Fuzzy I}(k) + U_{Fuzzy PD}(k) \tag{6}$$

4.1 Fuzzy P + Fuzzy ID

Figure 3(b) shows the structure of simple Fuzzy P + Fuzzy ID controller. It is a combination of Fuzzy P and Fuzzy ID controller. Fuzzy P has error signal as its input whereas Fuzzy ID has two inputs i.e. change of error and integral of error. The knowledge base is combination of one-dimensional rule table for Fuzzy P and two-dimensional rule table for Fuzzy ID. Equation (7) expressed the Control law, which is a summation of Fuzzy P control action and Fuzzy ID control action.

$$U(k) = U_{Fuzzy P}(k) + U_{Fuzzy ID}(k) \tag{7}$$

4.2 Fuzzy PI + Fuzzy D

Fuzzy PI + Fuzzy D controller is formed by combining Integral and Proportional controller as one unit and Fuzzy D as a separate controller. The knowledge base of this form of PID controller constitute of two – dimensional rule table for Fuzzy PI and one-dimensional rule table for derivative control action. Error and

change in error is taken as the two inputs to the Fuzzy PI controller, output of Fuzzy interface is then integrated to get Proportional-Integral action. Fuzzy D controller takes change of error as its input. Simple control structure of Fuzzy PI + Fuzzy D controller and its control law is representation by Figure 3(c) and equation (8) respectively.

$$U(k) = U_{Fuzzy PI}(k) + U_{Fuzzy D}(k) \tag{8}$$

4.3 Fuzzy PD + Fuzzy PI

The Fuzzy PD + Fuzzy PI controller is presented in [51, 53] by Li et al and Kwok et al, respectively. It is a parallel combination of a Fuzzy PD controller and a Fuzzy PI controller. The basic control diagram is shown Figure 3(d). The fuzzy PD+ fuzzy PI controller consists of a two fuzzy controller in parallel. Its knowledge base is a combination of two-dimensional rule base for the PD control and another two-dimensional rule base for the PI control. The control law can be expressed by equation (9).

$$U(k) = U_{Fuzzy PI}(k) + U_{Fuzzy PD}(k) \tag{9}$$

4.4 Fuzzy P + Fuzzy I + Fuzzy D

Fuzzy PID controller can also be formed by combining three Fuzzy controllers i.e. Fuzzy P, Fuzzy I and Fuzzy D. In this structure, there exist three distinct rule bases using only error as the input variable to generate three separate fuzzy proportional actions [53-54]. This is also an example of a single input fuzzy PID controller. It has although one dimensional rule table. But due to many rule tables large numbers of parameters are to be tuned. The structure of a simple control system of Fuzzy I + Fuzzy P + Fuzzy D controller is shown Figure 3(e). Equation (10) gives the control law of the control output process.

$$U(k) = U_{Fuzzy P}(k) + U_{Fuzzy I}(k) + U_{Fuzzy D}(k) \tag{10}$$

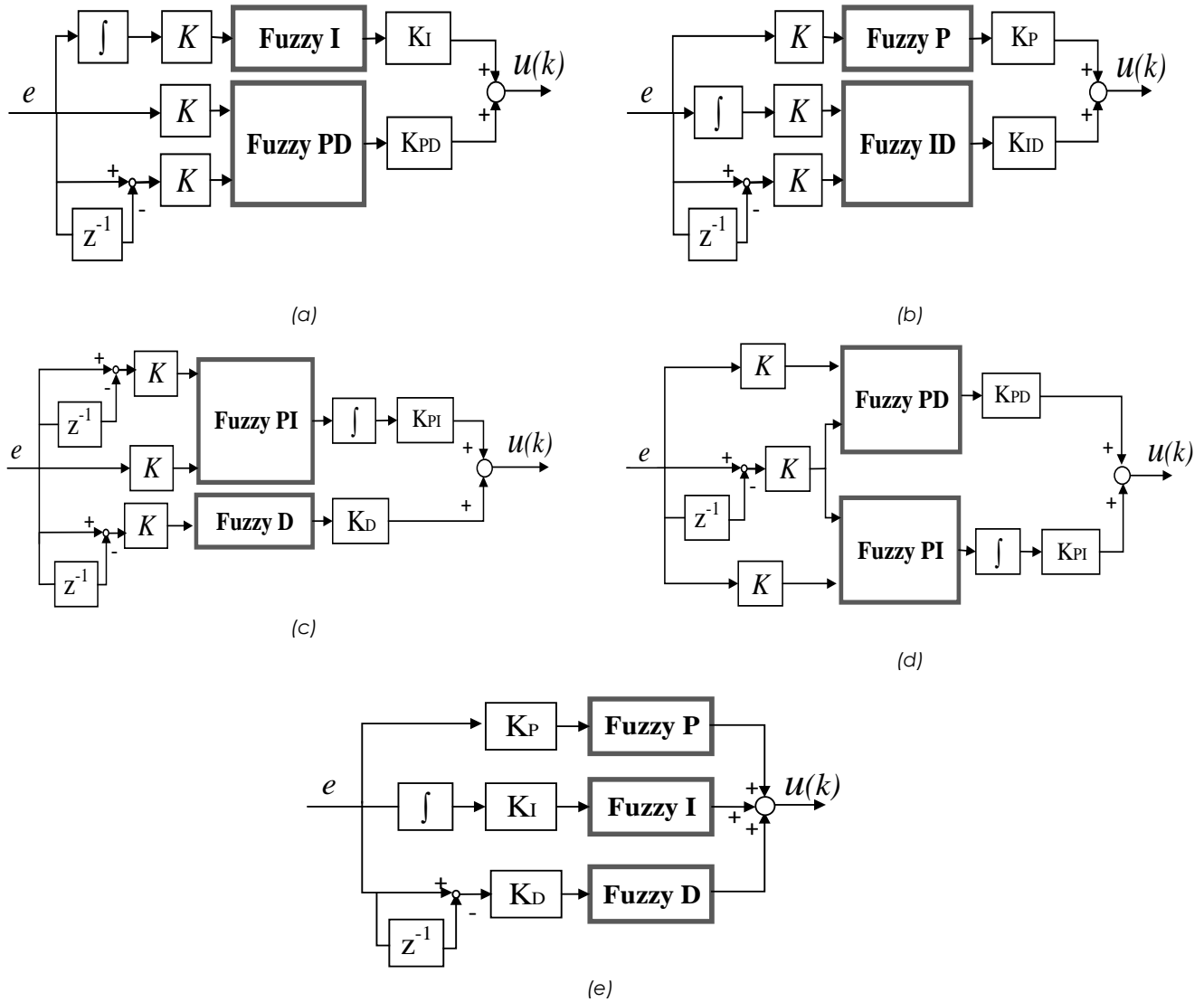


Figure 3 Different structures of the decomposed Fuzzy + Fuzzy type PID controllers (a) Fuzzy I + PD form. (b) Fuzzy P + ID form. (c) Fuzzy PI + Fuzzy D form. (d) Fuzzy PI + Fuzzy PD form. (e) Fuzzy P + Fuzzy I + Fuzzy D form

5.0 PROPOSED FUZZY PID CONTROLLER

The decomposed Fuzzy PID control structures presented in literature eliminate the complexity of the three-dimensional rule table. However the design process is still complex and time consuming due to the presence of large number of tuning parameters. Overcoming these issues, an improved form of simple decomposed Fuzzy PID controller is proposed. It is based on cascaded structure, where the output of the first stage will become the input to the next stage). The proposed controller is decomposed into two Fuzzy control stages. The structure of the proposed controller

is shown in Figure 4. Error (e) and change of error (\dot{e}) is taken as input of the controller at first stage. Controller at both stages are cascaded such that the output of the first controller along with change of change of error (\ddot{e}) given as the inputs to the second controller. Control law for the proposed PID controller is represented by equation (11).

$$u(k) = G_p e(k) + G_I \int \dot{e}(k) + G_D \ddot{e}(k) \quad (11)$$

Where,

$$G_p = K_p \cdot A; \quad G_I = K_I \cdot A; \quad G_D = K_D$$

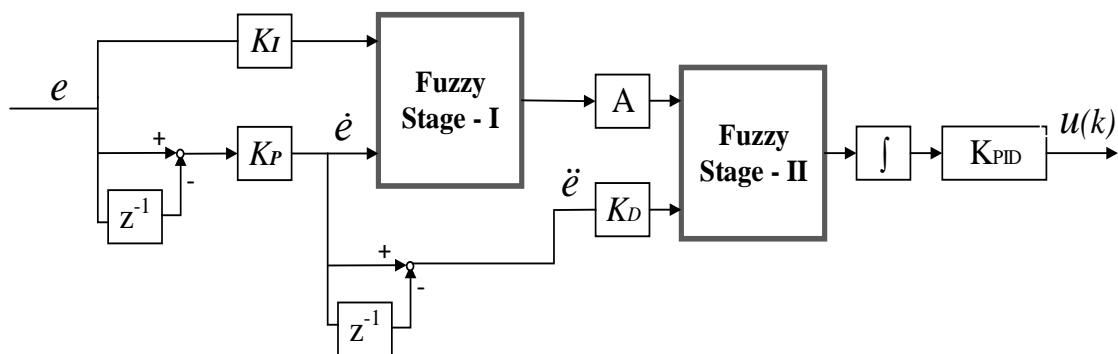


Figure 4 Proposed cascade structured decomposed Fuzzy PID controller.

6.0 DISCUSSION

Various structures of the decomposed Fuzzy controllers found in the literature have been discussed in this paper. In general, these controllers can be classified into Fuzzy + Conventional type and Fuzzy + Fuzzy type decomposed Fuzzy PID controllers. Both structures have their own unique capabilities and drawbacks. They are designed to tackle specific problems for certain applications.

Apparently, multiple-input (more than two inputs) fuzzy control system suffers from difficulty in designing its rule table. The increasing number of input also will increase the number of tuning parameters, hence the complexity. The decomposed structure is proposed to overcome these problems.

The decomposed structure reduced the dimension of the rule table into two or one dimension. Most of the decomposed fuzzy controllers are in the structure of one single stage processing (parallel processing). In terms of control trouble-shooting and tuning, this type of structure is rather complex. The number of tuning parameters can still be considered as large.

Our proposed decomposed structure exhibits a cascaded fashion. The output of the first stage will become the input of the second stage. In terms of control trouble-shooting, this structure yields less complexity due to the cascaded arrangement. The parameters fine-tuning is also less complex though the number of tuning parameters is still large.

Another unique advantage and highlight of the proposed controller is the possibility to reduce the number of rules and tuning parameters by applying the signed distance method [25, 35]. By applying this method, the proposed controller will become SISO fuzzy system and the rules inference process can be approximated as piecewise linear control surface [55].

7.0 CONCLUSION

In this paper a review of several decomposed Fuzzy PID control structures is carried out. The decomposed Fuzzy PID controllers are classified as Fuzzy + Conventional

type controller and Fuzzy + Fuzzy type controller. Their merits and drawbacks have been highlighted. Based on the critical discussions, a new structure of Fuzzy PID controller is proposed. It is based on a cascaded structure which reflects simpler design flows and parameter tuning.

Acknowledgement

Authors fully acknowledged Universiti Teknologi Malaysia for the funding under RUG Flagship Grant (02G11) which makes this work viable and effective. We also wish to thank Faculty of Electrical Engineering, Universiti Teknologi Malaysia (UTM) for their facilities provided.

References

- [1] Mohan, N. and T. M. Undeland. 2007. *Power Electronics: Converters, Applications, and Design*. John Wiley & Sons.
- [2] Heng, D., R. Oruganti, and D. Srinivasan. 2008. A Simple Control Method for High-Performance UPS Inverters Through Output-Impedance Reduction. *Industrial Electronics, IEEE Transactions on*. 55(2):888-898.
- [3] Habetler, T. G. and R. G. Harley. 2001. Power Electronic Converter And System Control. *Proceedings of the IEEE*. 89(6): 913-925.
- [4] Sanchis, P., A. Ursaea, E. Gubia, and L. Marroyo. 2005. Boost DC-AC Inverter: A New Control Strategy. *Power Electronics, IEEE Transactions on*. 20(2): 343-353.
- [5] Bin Arif, M. S. and S. Md Ayob. 2014. A Novel Single Phase Five-Level Photovoltaic Based Grid-Connected Inverter. *Energy Conversion (CENCON), 2014 IEEE Conference on*, 325-330.
- [6] Husodo, B. Y. and S. M. Ayob. 2011. Design of Proportional Integral Derivative (PID) Controller For Impedance-Source Inverter. *Computer Applications and Industrial Electronics (ICCAIE), 2011 IEEE International Conference on*. 121-125.
- [7] Kazmierkowski, M. P. and F. A. Silva. 2011. *Power Electronics Handbook*. Third Edition (Rashid, M.H.; 2011) [Book News]. *Industrial Electronics Magazine, IEEE*. 5(2): 54-55.
- [8] Chen, Y. 2011. SPWM Inverter Closed-Loop PID Control System. *Advanced Materials Research*. 219-220: 1367-1370.
- [9] Diaz-Rodriguez, I. D., V. A. Oliveira, and S. P. Bhattacharyya. 2015. Modern Design Of Classical Controllers: Digital PID Controllers. *Industrial Electronics (ISIE), 2015 IEEE 24th International Symposium on*. 1010-1015.
- [10] Karthikeyan, T. and P. S. Kumar. 2012. A Single Phase Seven Level Inverter for Grid Connected Photovoltaic System by

- Employing PID Controller. *Programmable Device Circuits and Systems*, 4(10): 480-483.
- [11] Ramos, R. R., D. Biel, E. Fossas, and F. Guinjoan. 2003. A Fixed-Frequency Quasi-Sliding Control Algorithm: Application To Power Inverters Design By Means Of FPGA Implementation. *Power Electronics, IEEE Transactions on*. 18 (1): 344-355.
- [12] Biel, D., F. Guinjoan, E. Fossas, and J. Chavarria. 2004. Sliding-Mode Control Design Of A Boost-Buck Switching Converter For AC Signal Generation. *Circuits and Systems I: Regular Papers, IEEE Transactions on*. 51(8): 1539-1551.
- [13] Wenguang, Y., H. Jiangang, V. Utkin, and X. Longya. 2008. Sliding Mode Pulsewidth Modulation. *Power Electronics, IEEE Transactions on*. 23(2): 619-626.
- [14] Rong-Jong, W., C. Meng-Wei, and L. Yao-Kai. 2015. Design of Adaptive Control and Fuzzy Neural Network Control for Single-Stage Boost Inverter. *Industrial Electronics, IEEE Transactions on*. 62(9): 5434-5445.
- [15] Heng, D., R. Oruganti, and D. Srinivasan. 2007. Analysis and Design of Iterative Learning Control Strategies for UPS Inverters. *Industrial Electronics, IEEE Transactions on*. 54 (3): 1739-1751.
- [16] Xiao, S., M. H. L. Chow, F. H. F. Leung, X. Dehong, W. Yousheng, and Y. S. Lee. 2002. Analogue Implementation Of A Neural Network Controller For UPS Inverter Applications. *Power Electronics, IEEE Transactions on*. 17 (3): 305-313.
- [17] Li, S., M. Fairbank, C. Johnson, D. C. Wunsch, E. Alonso, and J. L. Proao. 2014. Artificial Neural Networks For Control Of A Grid-Connected Rectifier/Inverter Under Disturbance, Dynamic And Power Converter Switching Conditions. *Neural Networks and Learning Systems, IEEE Transactions on*. 25 (4): 738-750.
- [18] El Khateb, A., N. Abd Rahim, J. Selvaraj, and M. N. Uddin. 2014. Fuzzy-Logic-Controller-Based SEPIC Converter for Maximum Power Point Tracking. *IEEE Transactions on Industry Applications*. 50(4): 2349-2358.
- [19] Ayob, S. M., Z. Salam, and N. A. Azli. 2010. A New Optimum Design For A Single Input Fuzzy Controller Applied To DC To AC Converters. *Journal of Power Electronics*. 10(3): 306-312.
- [20] Aceves-Lopez, A. and J. Aguilar-Martin. 2006. A Simplified Version Of Mamdani's Fuzzy Controller: The Natural Logic Controller. *Fuzzy Systems, IEEE Transactions on*. 14 (1): 16-30.
- [21] Tsai-Fu, W., C. Chien-Hsuan, and C. Yu-Kai. 2000. A Fuzzy-Logic-Controlled Single-Stage Converter For PV-Powered Lighting System Applications. *Industrial Electronics, IEEE Transactions on*. 47(2): 287-296.
- [22] Tao, C., C. Wang, and C. Chang. 2016. A Design of a DC-AC Inverter Using a Modified ZVS-PWM Auxiliary Commutation Pole and a DSP-Based PID-Like Fuzzy Control. *Industrial Electronics, IEEE Transactions on*. 63(1): 397-405.
- [23] Wu Zhi, Q. and M. Mizumoto. 1996. PID Type Fuzzy Controller And Parameters Adaptive Method. *Fuzzy Sets and Systems*. 78 (1): 23-35.
- [24] Sefa, I., N. Altin, S. Ozdemir, and O. Kaplan. 2015. Fuzzy PI Controlled Inverter For Grid Interactive Renewable Energy Systems. *IET Renewable Power Generation*.
- [25] Ayob, S. M., N. A. Azli, and Z. Salam. 2009. PWM DC-AC Converter Regulation using a Multi-Loop Single-Input Fuzzy PI Controller. *Journal of Power Electronics*. 9(1): 124-131.
- [26] Yu-Kai, C., Y. Chih-Hsiang, and W. Yung-Chun. 2002. Robust Fuzzy Controlled Photovoltaic Power Inverter With Taguchi Method. *Aerospace and Electronic Systems, IEEE Transactions on*. 38(3): 940-954.
- [27] Ayob, S., N. Azli, and Z. Salam. 2008. Single Input PI-Fuzzy Controller For Single Phase Inverter System. *International Review of Electrical Engineering (IREE)*. 3(3): 418-425.
- [28] Mizumoto, M. 1995. Realization of PID Controls By Fuzzy Control Methods. *Fuzzy Sets and Systems*. 70(2-3): 171-182.
- [29] Woo, Z.-W., H.-Y. Chung, and J.-J. Lin. 2000. A PID Type Fuzzy Controller With Self-Tuning Scaling Factors. *Fuzzy Sets and Systems*. 115(2): 321-326.
- [30] Mattavelli, P., L. Rossetto, G. Spiazzi, and P. Tenti. 1997. General-purpose Fuzzy Controller For Dc-Dc Converters. *Power Electronics, IEEE Transactions on*. 12(1): 79-86.
- [31] Viswanathan, K., R. Oruganti, and D. Srinivasan. 2005. Nonlinear Function Controller: A Simple Alternative To Fuzzy Logic Controller For A Power Electronic Converter. *IEEE Transactions on Industrial Electronics*. 52(5): 1439-1448.
- [32] Guesmi, K., N. Essounbouli, and A. Hamzaoui. 2008. Systematic Design Approach Of Fuzzy PID Stabilizer For DC-DC Converters. *Energy Conversion and Management*. 49(10): 2880-2889.
- [33] Cecati, C., F. Ciancetta, and P. Siano. 2010. A Multilevel Inverter for Photovoltaic Systems With Fuzzy Logic Control. *Industrial Electronics, IEEE Transactions on*. 57(12): 4115-4125.
- [34] Ranjani, M. and P. Murugesan. 2015. Optimal Fuzzy Controller Parameters Using PSO For Speed Control Of Quasi-Z Source DC/DC Converter Fed Drive. *Applied Soft Computing*. 27: 332-356.
- [35] Taaed, F., Z. Salam, and S. M. Ayob. 2012. FPGA Implementation of a Single-Input Fuzzy Logic Controller for Boost Converter With the Absence of an External Analog-to-Digital Converter. *IEEE Transactions on Industrial Electronics*. 59(2): 1208-1217.
- [36] Kanthaphayao, Y. and V. Chunkag. 2014. Current-Sharing Bus And Fuzzy Gain Scheduling Of Proportional-Integral Controller To Control A Parallel-Connected AC/DC Converter. *IET Power Electronics*. 7(10): 2525-2532.
- [37] Louzazni, M. and E. Aroudam. 2014. Intelligent PID-Fuzzy Logic Control For Three-Phase Grid-Connected Photovoltaic Inverter. *Intelligent Systems: Theories and Applications (SITA-14), 2014 9th International Conference on*, 2014. 1-6.
- [38] Jia De, L., Q. Wu, W. Sun Zhen, and P. Xu. 2011. A Switching-Inverter Power Controller Based On Fuzzy Adaptive PID. *Strategic Technology (IFOST), 2011 6th International Forum on*. 695-699.
- [39] Ronilaya, F. and H. Miyauchi. 2015. A New Implementation of PID-Type Fuzzy Controller for a Battery Grid-Supporting Inverter in an Autonomous Distributed Variable-Speed Wind Turbine. *Ieee Transactions on Electrical and Electronic Engineering*. 10(2): 134-143.
- [40] Al-Odienat, A. I. and A. A. Al-Lawama. 2008. The Advantages Of PID Fuzzy Controllers Over The Conventional Types. *American Journal of Applied Sciences*. 5(6): 653-658.
- [41] Sharma, K. D., M. Ayyub, S. Saroha, and A. F. Handershof. 2014. Advanced Controllers Using Fuzzy Logic Controller (FLC) For Performance Improvement. *International Electrical Engineering Journal (IEEJ)*. 5: 1452-1458.
- [42] Liu, G., Y. Liu, and Z. Qi. 2012. Single-phase Sinusoidal Inverter Based On Fuzzy PID Control For Small Wind Power System. *Computer Science and Network Technology (ICCSNT), 2012 2nd International Conference on*. 625-628.
- [43] Reznik, L., O. Ghanayem, and A. Bourmistrov. 2000. PID Plus Fuzzy Controller Structures As A Design Base For Industrial Applications. *Engineering Applications of Artificial Intelligence*. 13(4): 419-430.
- [44] Golob, M. 2001. Decomposed Fuzzy Proportional-Integral-Derivative Controllers. *Applied Soft Computing*. 1(3): 201-214.
- [45] Mohan, B. M. and A. Sinha. 2008. Analytical Structure And Stability Analysis Of A Fuzzy PID Controller. *Applied Soft Computing*. 8(1): 749-758.
- [46] Hu, B.-G., G. K. Mann, and R. G. Gosine. 2001. A Systematic Study Of Fuzzy PID Controllers-Function-Based Evaluation Approach. *Fuzzy Systems, IEEE Transactions on*. 9(5): 699-712.
- [47] Mohan, B. M. and A. Sinha. 2006. The Simplest Fuzzy PID Controllers: Mathematical Models And Stability Analysis. *Soft Computing*. 10(10): 961-975.
- [48] Li, W., X. G. Chang, F. M. Wahl, and S. K. Tso. 1999. Technical Note Hybrid Fuzzy P+ID Control Of Manipulators Under Uncertainty. *Mechatronics*. 9(3): 301-315.
- [49] Pandey, S. K. 1997. PID Type Fuzzy Controller And Parameters Adaptive Method - Rejoinder. *Fuzzy Sets and Systems*. 90(1): 105-106.
- [50] Wei, L. 1998. Design Of A Hybrid Fuzzy Logic Proportional Plus Conventional Integral-Derivative Controller. *Fuzzy Systems, IEEE Transactions on*. 6(4): 449-463.

- [51] Li, H. X. and H. B. Gatland. 1995. Enhanced Methods Of Fuzzy Logic Control. *Fuzzy Systems, 1995. International Joint Conference of the Fourth IEEE International Conference on Fuzzy Systems and The Second International Fuzzy Engineering Symposium. Proceedings of 1995 IEEE Int.* 1: 331-336.
- [52] Ng, K. C. and Y. Li. 1996. Reduced Rule-Base And Direct Implementation Of Fuzzy Logic Control Systems. *Proc. World Congress IFAC.* 85-90.
- [53] Kwok, D., Z.-Q. Sun, and P. Wang. 1991. Linguistic PID Controllers For Robot Arms. *Control 1991. Control'91., International Conference on.* 341-346.
- [54] Mann, G. K. I., H. Bao-Gang, and R. G. Gosine. 1999. Analysis Of Direct Action Fuzzy PID Controller Structures. *Systems, Man, and Cybernetics, Part B: Cybernetics, IEEE Transactions on.* 29(3): 371-388.
- [55] Ayob, S. M., Z. Salam, and N. A. Azli. 2007. Piecewise Linear Control Surface for Single Input Nonlinear PI-Fuzzy Controller, in *Power Electronics and Drive Systems, 2007. PEDS '07. 7th International Conference on.* 1533-1536.